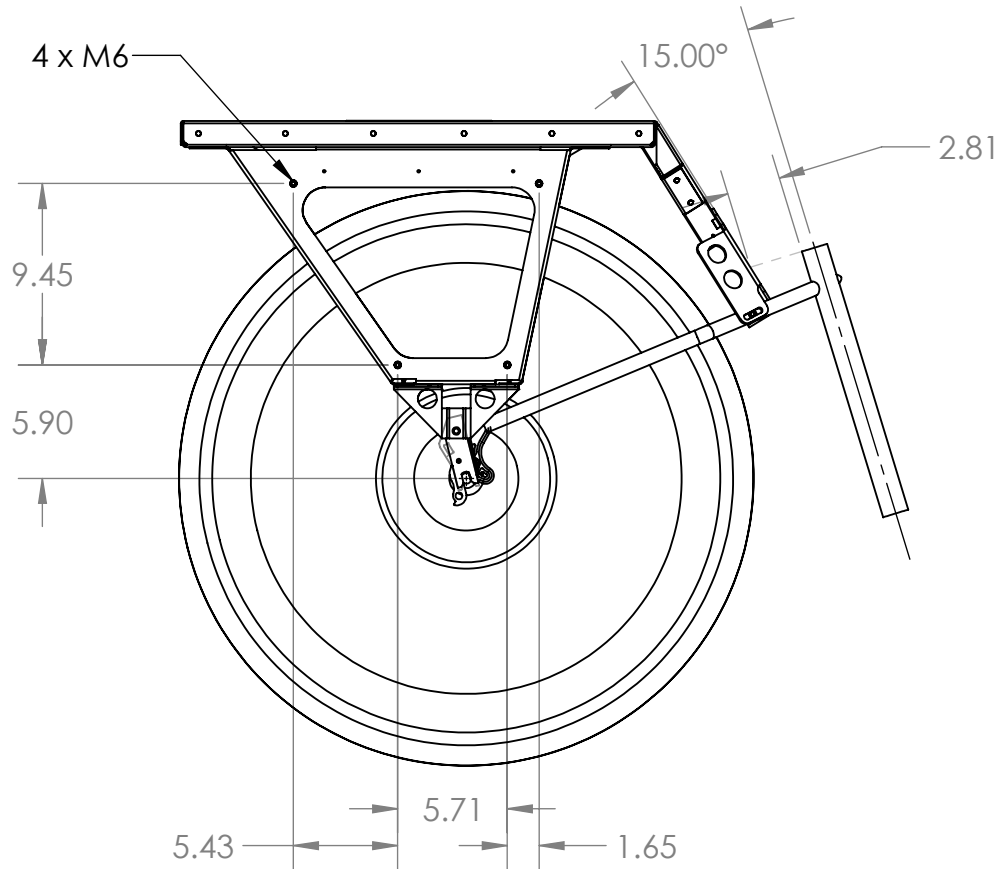
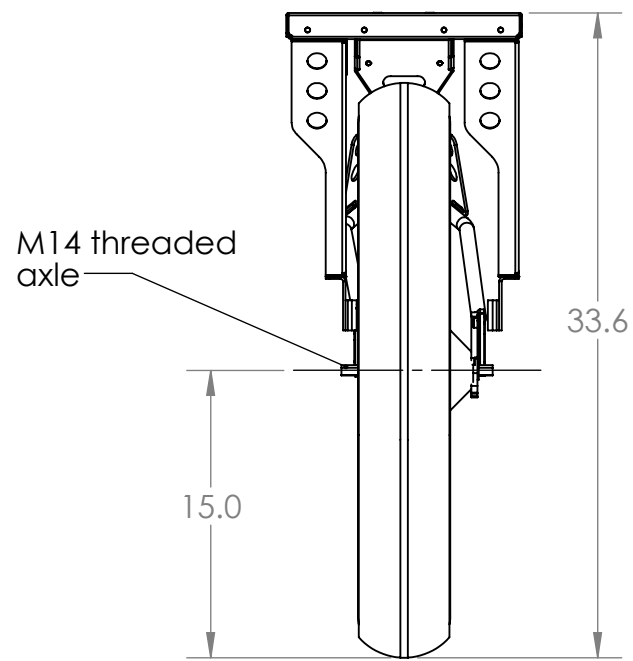
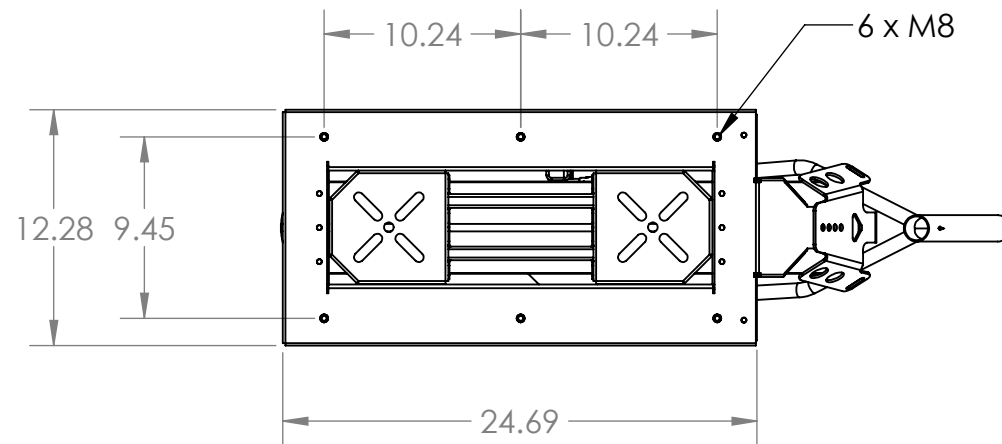
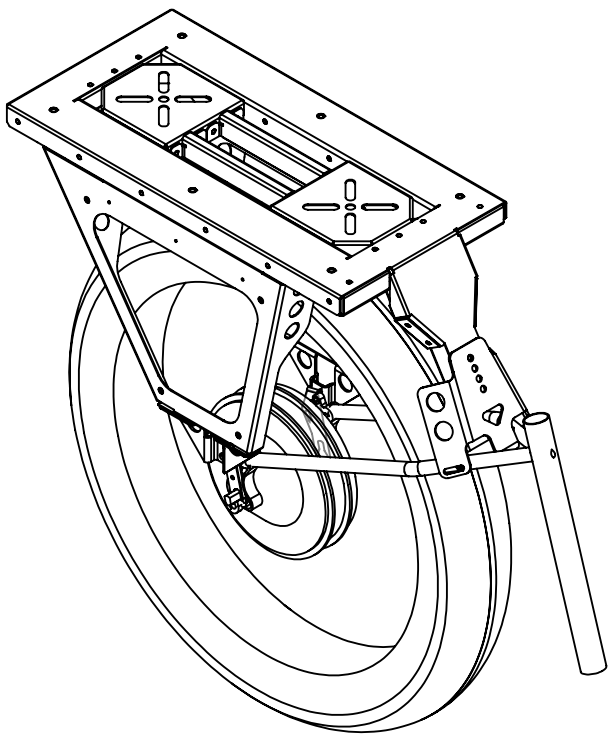



8 7 6 5 4 3 2 1

REVISIONS				
ZONE	REV.	DESCRIPTION	DATE	APPROVED
	A	Initial Release	7/2/2017	



All dimensions in inches and representative of actual products. Actual dimensions may differ from those depicted.			Copyright 2017 Standard Bearer Machines, LLC		DO NOT SCALE DRAWING		REVISION A	
DRAWN PPG			SIGNATURE		DATE 7/2/2017			
MATERIAL: Powder coated aluminum							TITLE: Customer Drawing - Rungu Rear Rack	
							DWG NO. 171	
							A3	
SCALE: 1:10							SHEET 1 OF 1	

8 7 6 5 4 3 2 1

F
E
D
C
B
A

F
E
D
C
B
A