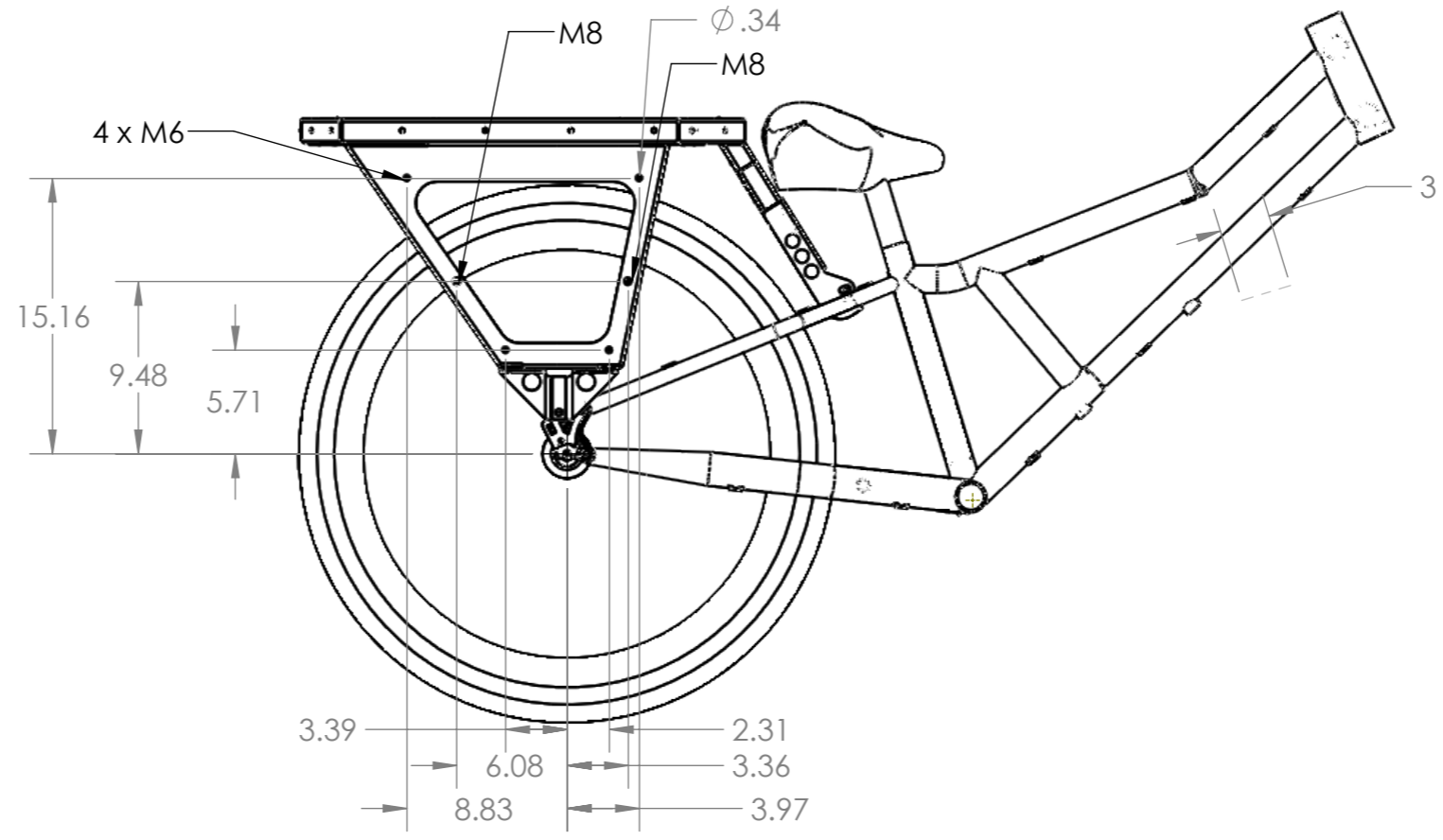
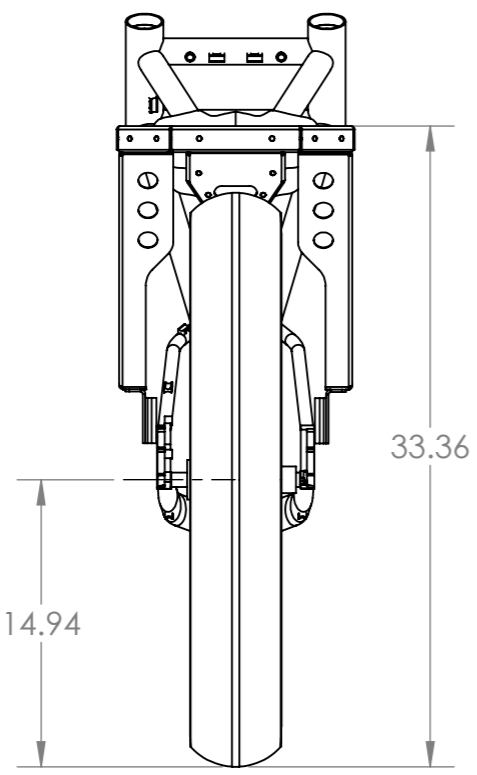
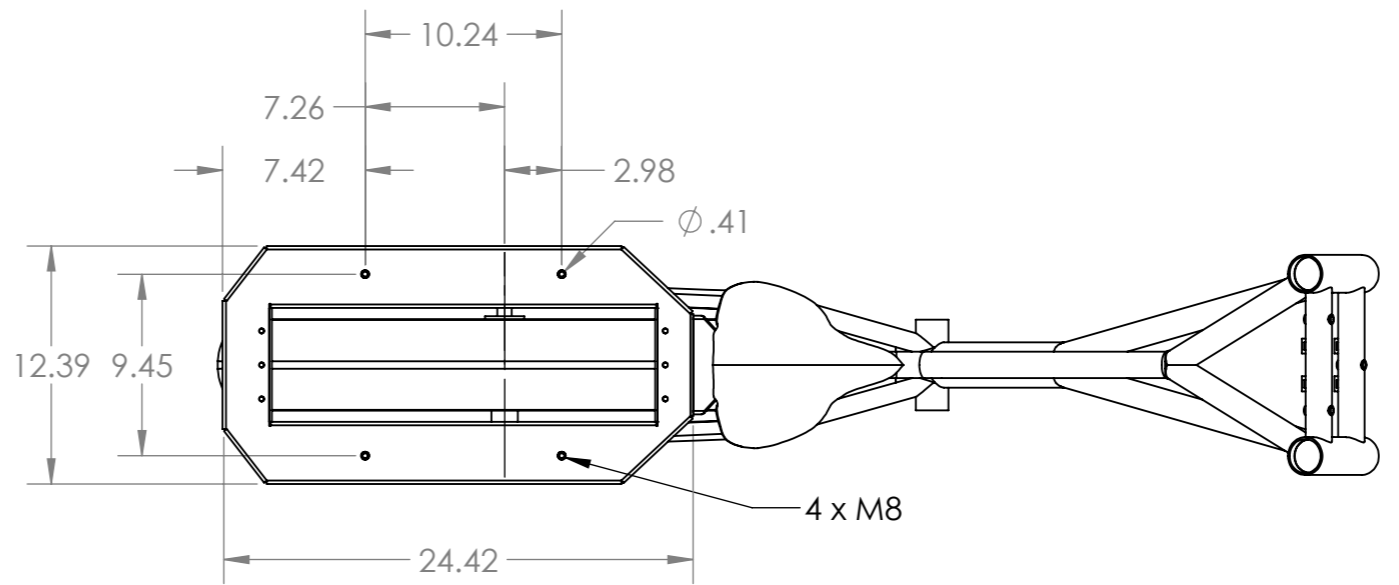
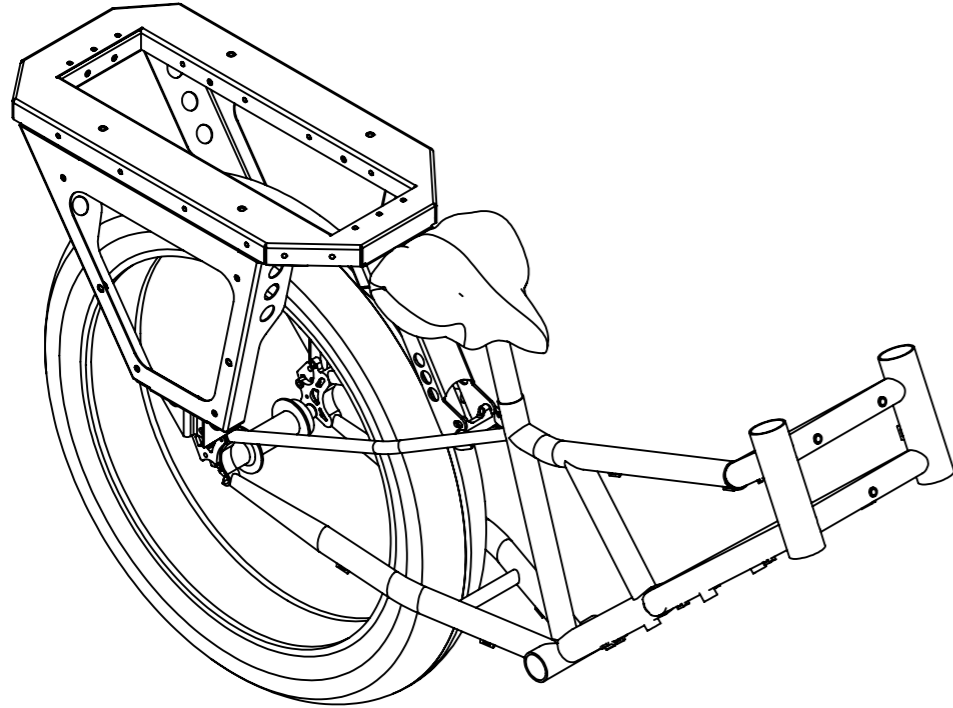


8 7 6 5 4 3 2 1

REVISIONS				
ZONE	REV.	DESCRIPTION	DATE	APPROVED
	A	Initial Release	2-4-2020	

F
E
D
C
B
A

F
E
D
C
B
A



All dimensions in INCHES and representative of actual products. Actual dimensions may differ from those depicted.

Copyright 2020 Standard Bearer Machines, LLC

DO NOT SCALE DRAWING REVISION A

STANDARD BEARER MACHINES, LLC

TITLE:	Customer Drawing - 2020 Cargo Rack		
DWG NO.	289	A3	
MATERIAL:	Powder coated aluminum		
SCALE:	1:10	SHEET 1 OF 1	

NAME	SIGNATURE	DATE
DRAWN PPG		2-4-2020

8 7 6 5 4 3 2 1